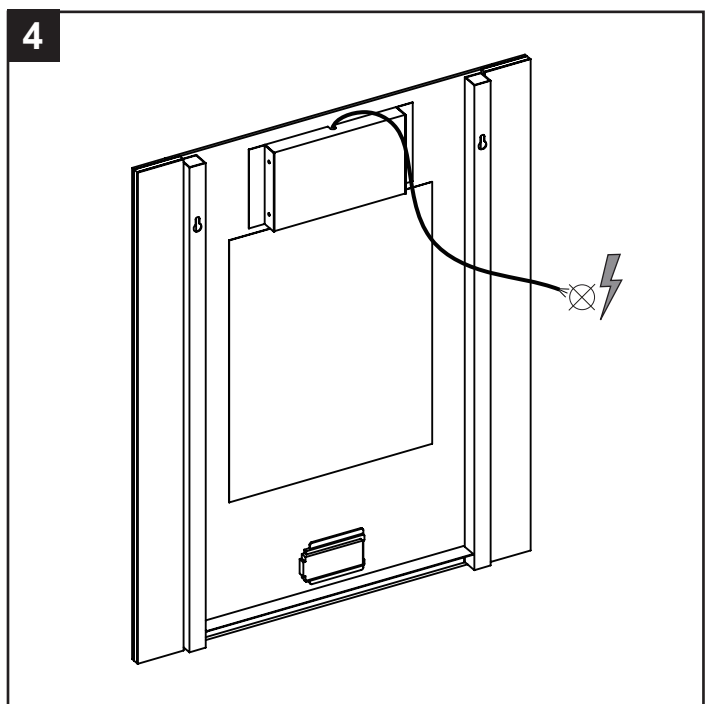
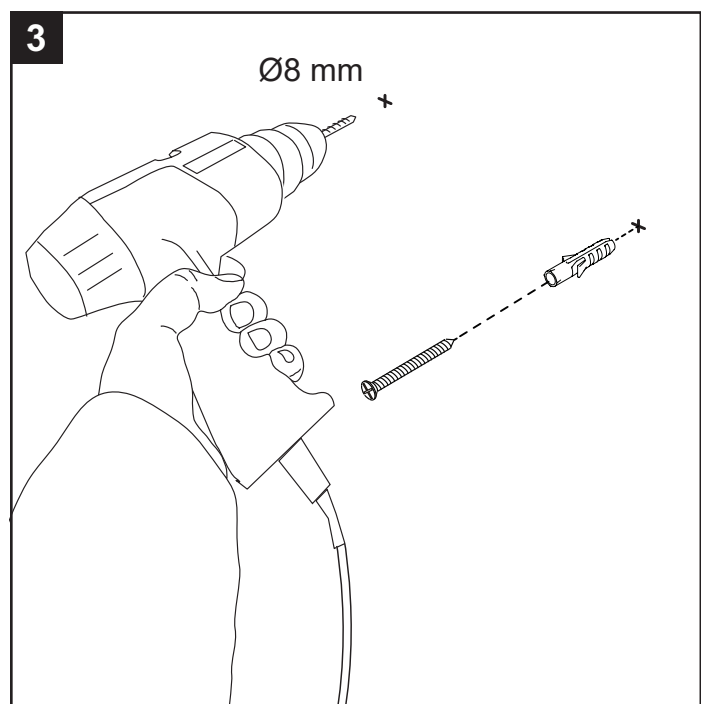
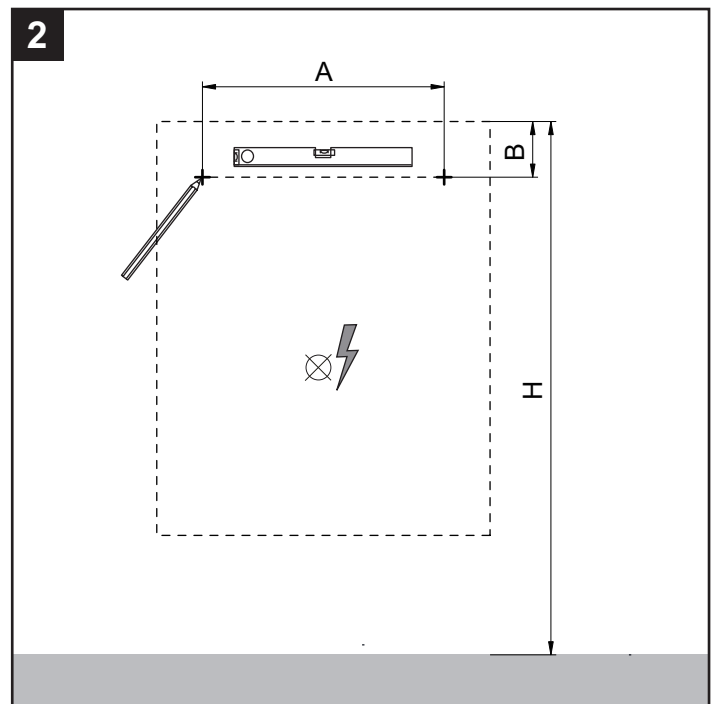
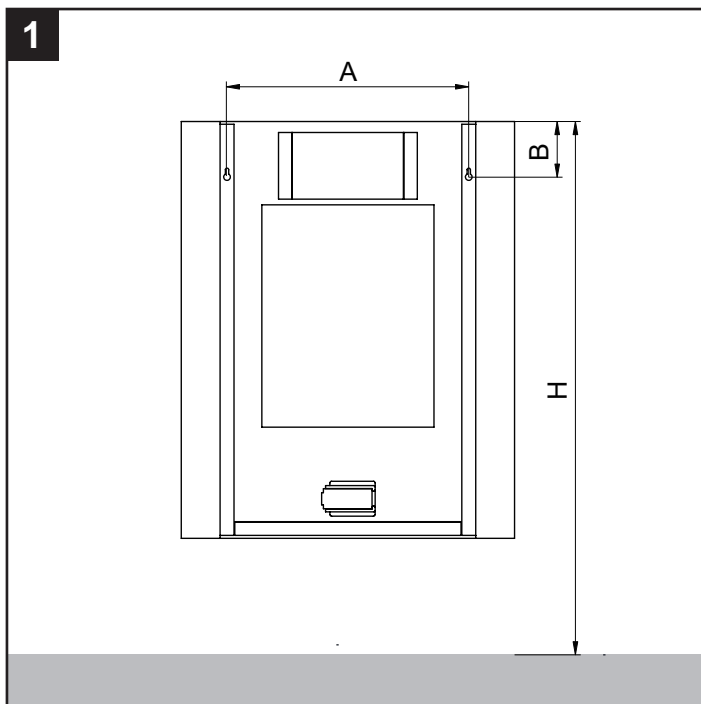
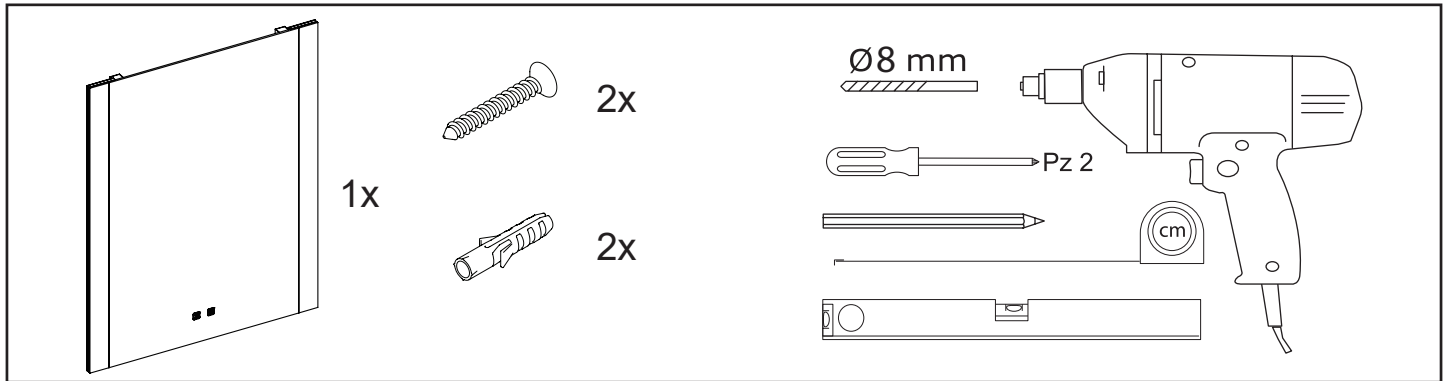
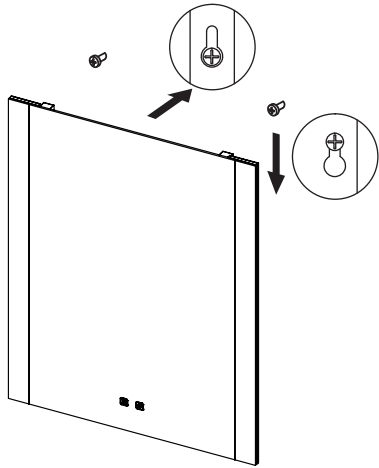


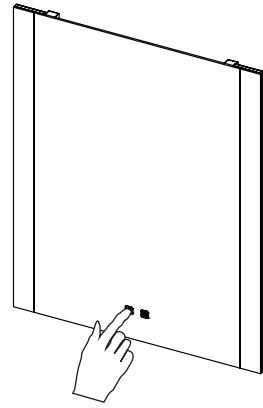
LED MIRROR INSTALLATION INSTRUCTIONS







5



6



- Touch  to turn the task light on or off.
- Touch  to turn the defogger on or off.
- Press and hold  to change the color temperature of the task light.
- Press and hold  to dim or brighten the task light.